

A grid of various artificial marble samples, including different colors and patterns like speckled, solid, and marbled, arranged in a grid pattern. An orange banner is overlaid on the bottom part of the grid.

Solid Surface Manufacturing System

Your Customized Solution for Artificial Marble

Steel Belt Systems for Various Industries

Berndorf Steel Belt Systems Ltd., Co. is based in Incheon, South Korea. Our company is specialized in designing and manufacturing of continuous production systems for a wide range of applications. As a member of the Berndorf Band Group, we supply all kinds of steel belt systems for various industries, for example in the chemical-, wood- and food industry. In 1990 our company started to create solid surface (artificial marble) machines. Since then, Berndorf has delivered this system to many solid surface manufacturers worldwide.

▼ Up-Stream

Pre-Polymer Make-Up
(MMA and PMMA)

Slurry Make-Up
(Pre-Polymer, ATH,
Chips, Others)

Mixing and Feeding
(Slurry and Initiator)

▼ Steel Belt Casting System

Polymerizing over Steel Belt
Caster

Length Cutting by Cross
Cutting Machine

Stacking by Auto Stacking
Machine

▼ Down-Stream

Width and Length Cutting

Dry-Sanding for Bottom Side

Turnover

Dry- and Wet-Sanding on
Product Side

Inspection and Wrapping

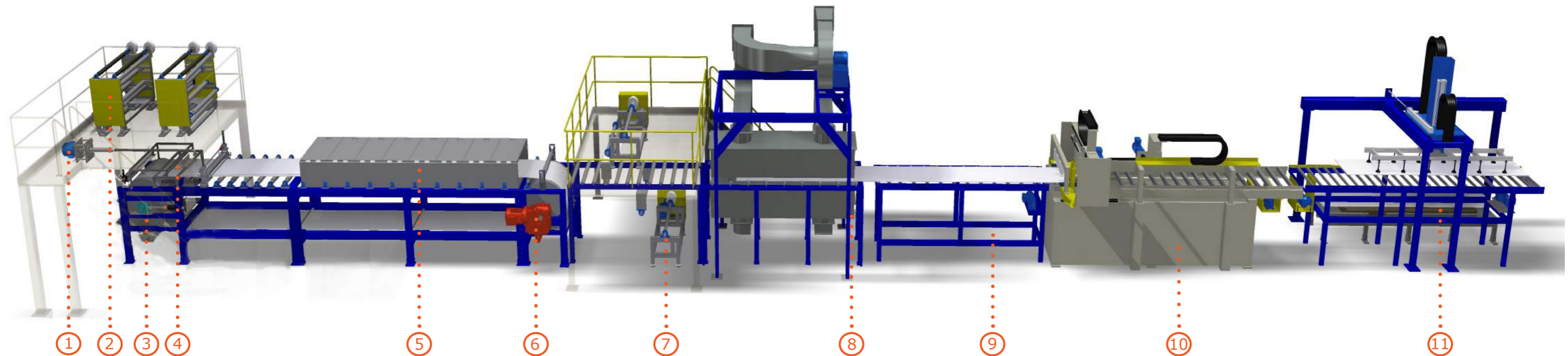
Your Customized Solution for Artificial Marble

The Solid Surface Manufacturing System is a fully customized continuous production process. It offers customers the possibility to produce all types of solid surface products which is used for decorative material for kitchens (sink tops), desktops, living rooms and commercial spaces. Additionally, it can be used as a premium material for buildings:

- 100% Acrylic Resin Based Sheet
- 100% Unsaturated Polyester Resin Based Sheet
- Modified sheet: Acrylic Resin and Unsaturated Polyester Resin

We provide total solutions upon customer demand:

- Chemical Recipe
- Production Know-How
- Machinery for Solid Surface Manufacturing



- 1 Inline mixer
- 2 Unwinder for upper and lower PVA film
- 3 Tension terminal

- 4 Thickness controller
- 5 Casting (polymerizing) chamber
- 6 Drive terminal

- 7 Rewinder for upper and lower PVA film
- 8 Product cooling tunnel
- 9 Roller conveyor for product cooling

- 10 Cross cutting machine
- 11 Auto stacking machine

Berndorf Band Group Worldwide



Berndorf Steel Belt Systems Ltd., Co.
#15, Bodeum 2-ro, Seo-gu,
Incheon 22664
R. O. Korea (South)

Tel +82 32 816 0432
Fax +82 32 816 0435
bsbs@berndorf.co.kr
www.berndorf.co.kr
www.berndorfband-group.com